

PHYSICAL CHARACTERISTICS:

- 316 SST, ERTALYTE, UHMWPE, & PTFE
- WEIGHT: 14 lbs
- DUAL NOZZLES ARE SHOWN
- NOZZLE SIZE: RANGE 3/8" TO 5/16
- FLOW RAGE: 25 TO 85 GPM
- PRESSURE RANGE: 20 TO 80 PSI
- MIN. FULL WASH CYCLE: 2 TO 8 MIN
- CLEARANCES: MIN: 5-3/4" FIXED-CENTERLINE: 3-3/4"
- SELF CLEANING AND SELF DRAINING IN DESIGN
- ALL SURFACES ARE POLISHED
- STEAM CLEAN 250°F LOW PRESSURES

RECOMMED APPLICATION:

- DAIRY INDUSTRIES
- PHARMACEUTICAL/PERSONAL CARE INDUSTRIES
- BREWING INDUSTRIES

RECOMMEDATIONS FOR USE OF APPLICATION:

- IS TO REPLACE ANY TYPE OF SPRAY BALL
- INCREASE IMPINGMENT FOR BETTER CLEANING

- 1. R-CLIP CONNECTION
- 2. TRI-CLOVER CONNECTION
- 3. SANITARY CONNECTION

UNLESS OTHERWISE SPECIFIED
 * DIMENSIONS ARE IN INCHES
 * DIMENSIONS REFERENCE THEORETICAL SHARP CORNERS
 * FILLET RAD.: 0.015±0.005
 * TOLERANCES:
 .XX ±0.01
 .XXX ±0.005
 ANGLE ±0.5°

MATERIAL:
 N/A

FINISH (UNLESS OTHERWISE SPECIFIED):
 N/A

NOT TO SCALE

GAMAJET CLEANING SYSTEMS, INC.

604 Jeffers Circle
 Exton, PA 19341

OPERATING PARAMETERS

EQUIPMENT: ASEPTIC 1

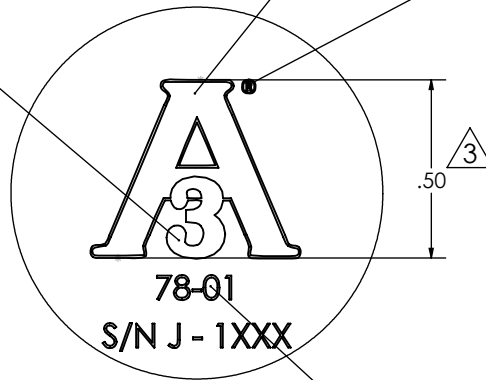
DWG. NO. APPENDIX A

SHEET 1 OF 2

THIS DRAWING IS THE PROPERTY OF GAMAJET CLEANING SYSTEMS, INC. REPRODUCTIONS AND USE OTHER THAN BORROWER'S AGREEMENT IS PROHIBITED. THIS DOCUMENT SHALL NOT BE LENT OR DISPOSED OF DIRECTLY OR INDIRECTLY NOR USED FOR ANY PURPOSE OTHER THAN THAT WHICH IS SPECIFICALLY FURNISHED.

DRAWN	DATE	Rev.	Description
JAD	8/27/09	1	INITIAL RELEASE
JAD	9/14/09	2	ADDED 3-A SYMBOL WITH DIMS.
JAD	9/25/09	3	CHANGED 3-A SYMBOL FROM 1" TO 0.50"
JAD	2/2/10	4	CHANGED NAME TO ASEPTIC 1

ANTIQUÉ NUMERAL 3
SUPERIMPOSED ONTO A



DETAIL A
SCALE: 2 : 1

CAPITAL GOTHIC A WITH SERIFS PER
"USE AND DISPLAY OF 3-A SYMBOL DISPLAY DOCUMENT"

THE REGISTERED DESIGNATION ® SHALL
BE PROPORTIONALLY DISPLAYED AS PART
OF THE 3-A SYMBOL

THE FULL 3-A SANITARY STANDARD HYPHENATED
STANDARD NUMBER AND VERSION SHALL
APPEAR IMMEDIATELY BELOW THE 3-A SYMBOL

GAMAJET CLEANING SYSTEMS, INC.

604 Jeffers Circle
Exton, PA 19341

TITLE
OPERATING PARAMETERS

EQUIPMENT
ASEPTIC 1

DWG. NO.
APPENDIX A

SHEET 2 OF 2