

- Touch screen system control
- Customizable PLC logic
- Digital pressure, flow rate and temperature readout
- Timers for cycle and total system run time
- Administrative password protected access to system changes

Options Include:

- Chemical dosing pumps
- Dual supply pumps for separate systems
- VFD control of pump output
- Multiple inlet and discharge ports



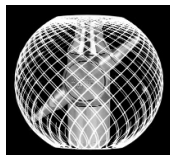
The **Gamajet Mobile CIP System (MCIP)** eliminates the necessity and expense of piping a permanent CIP installation in each tank. It includes everything needed for effective, repeatable, user-controlled in-place cleaning. Supply and dosing pumps, hoses, inlet adapters, filters and a choice of Gamajet Cleaning Machines are incorporated on an easily moved transport cart contained within a smooth stainless steel housing. Controls are protected within a sealed enclosure.

The unit is computer-controlled and is fully programmable. It provides continuous monitoring and control of all cleaning parameters. An optional onboard dosing pump automatically dispenses additives and provides precise control of additive delivery, ensuring repeatable dosing.

The system provides high pressure, 360 degree cleaning at very low flow rates and ensures 100% cleaning effectiveness that matches or exceeds the performance of installed systems.

MCIP can be used to easily clean virtually any size tank or vessel. For cleaning very small tanks, the MCIP can be outfitted with an onboard recirculation tank that prevents bottom flooding of the tank being cleaned. The MCIP is easily moved and the housing keeps operating elements separate from the process area.

With the MCIP, capital costs for permanent CIP installations can be eliminated, and the convenience of a mobile cleaning system added to any operation.

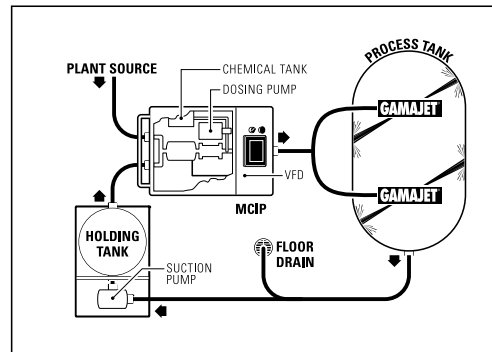


877-GAMAJET

The MCIP can be utilized in a variety of closed and open loop configurations depending upon vessel size and recirculation volumes.



Open or Closed Loop Configuration



The Gamajet MCIP operating system is available in two configurations:

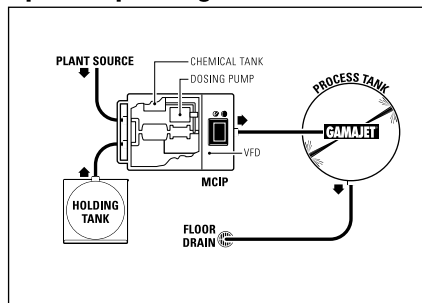
Standard Instrumentation

- LED On-Off switch and pressure and temperature readouts.

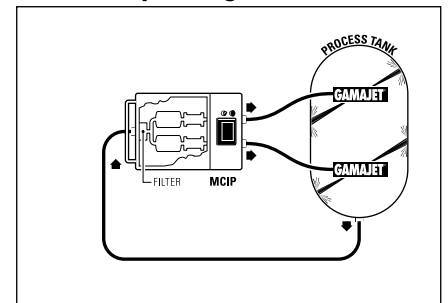
PLC Instrumentation

- Built-in PLC unit with touch screen panel, temperature, pressure and pressure differential readouts, timers and operating time recording. The PLC can be programmed for each individual cleaning application.

Open Loop Configuration



Closed Loop Configuration



Sealed Control Enclosure



877-GAMAJET

604 Jeffers Circle, Exton, PA 19341 • (610) 408-9940 • Fax: (610) 408-9945 • e-mail: sales@gamajet.com • www.gamajet.com

because your business depends on clean tanks