

# GAMAJET<sup>®</sup>

Product Data  
Gamajet Directional Units

CLEANING SYSTEMS, INC.

## The best way to clean open-topped vessels.

The Gamajet IV, Gamajet V and Gamajet HV-VIII Directional Cleaning machines are designed specifically for cleaning **all types and sizes of open-topped vats, tanks, and vessels.**

These versatile units are turbine-driven and provide 180° rotary impingement cleaning to easily clean the sides and bottom of virtually any size application. Gamajet directional machines are **the best way to clean the heavy heel** from the bottom and maintain the full capacity of the tank. With these cleaning machines, you **get the cleaning power you need, in the direction you need it.** A choice of nozzle sizes, turbines and gear speeds offers a range of flow rates, pressures and wash cycle times.



Gamajet IV

- 180° Directional Cleaning Patterns
- Thorough scouring pattern ensures complete reliable cleaning
- Type 316 Stainless Steel Construction
- Can be modified for CIP applications
- Fluid driven, no external motor
- Fast, low cost, reliable operation
- Sealed gearbox design, interlocking gears
- No time-wasting adjustments or disassembly

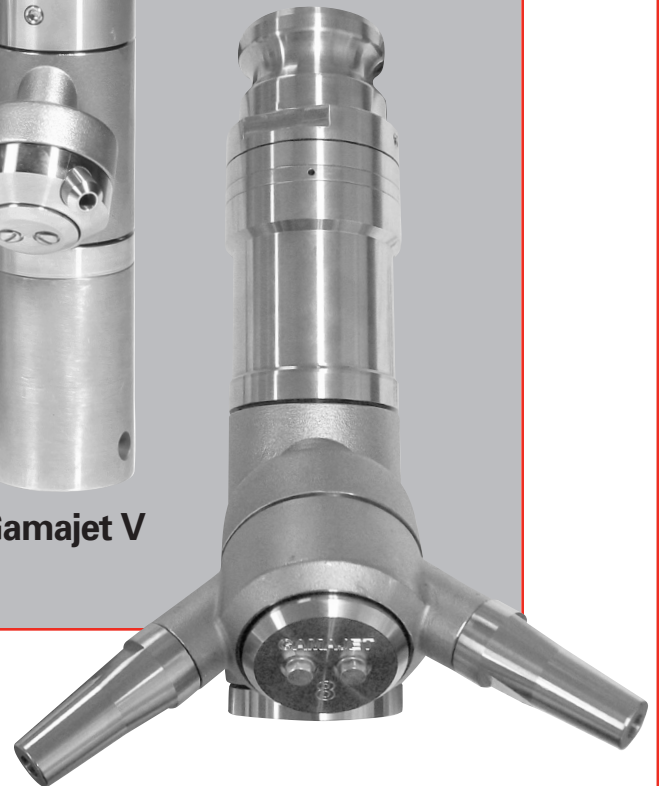


180° Cleaning Patterns



Gamajet V

Gamajet HV-VIII



GAMAJET CLEANING SYSTEMS, INC.

[www.gamajet.com](http://www.gamajet.com)

## Gamajet Directional Units

Gamajet Directional Cleaning Machines are turbine driven, rotary machines, providing 180° cleaning coverage on the horizontal axis, with synchronized hydraulic jets providing concentrated bottom, top or side scrubbing of open containers, tanks, barges, vats, hopper cars, etc. The Gamajet Directional Machines are particularly well suited for use in applications as diverse as waste treatment, adhesives and ink manufacturing.

The jet index after one complete cycle (60 revolutions) is 1°, creating jet swaths on tank surfaces that are about 1" apart at a 5 foot radius. This means that every square foot of a selected surface area is directly scrubbed by jet impingement up to distances of 50 ft. depending on model.

The **Gamajet Directional IV** is offered in a triple nozzle configuration, with eight interchangeable nozzle sizes, six low or high pressure/volume hydraulic turbines, and two gear reduction ratios, to fit a wide range of flow rates, nozzle rpm speeds and wash cycles.

The **Gamajet Directional V** is offered in a dual nozzle configuration, with seven interchangeable nozzle sizes, and four low or high pressure/volume hydraulic turbines.

The **Gamajet Directional HV-VIII** is offered in a dual nozzle configuration, with six interchangeable nozzle sizes, and four low or high pressure/volume hydraulic turbines.

### Gamajet IV

#### Operating Range:

- **Water Flow:** 30 to 260 gpm (7 to 60 tons per hour)
- **Water Pressure:** 40 to 450 psi (2.8 to 31 bars)
- **Temperature:** Up to 240°F (116°C)

#### Overall Dimensions:

- **Height:** 13<sup>1/4</sup>" (33.7 cm)
- **Width:** Requires 12<sup>1/2</sup>" (32 cm) diameter minimum entry opening
- **Weight:** 35 lbs. (15.89 kg)

#### Inlet Connection:

- **Standard:** 2<sup>1/2</sup>" NST male, 7.5 TPI; 2" NPT Female
- **Optional:** 2<sup>1/2</sup>" Quick Disconnect, Male: 2" NPT Female
- **Main Body Castings and Components:** 316 Stainless Steel

### Gamajet V

#### Operating Range:

- **Water Flow:** 10 to 40 gpm (2.5 to 10 tons per hour)
- **Water Pressure:** 50 to 1200 psi (3.5 to 8.3 bars)
- **Temperature:** Up to 250°F (121°C)

#### Overall Dimensions:

- **Height:** 8<sup>13/16</sup>" (22.4 cm)
- **Width:** Requires 4<sup>3/8</sup>" (11.11 cm) diameter minimum entry opening
- **Weight:** 8<sup>1/2</sup>" lbs. (3.9 kg)

#### Inlet Connection:

- **Standard:** 1<sup>1/2</sup>" NPT Female
- **Main Body Castings and Components:** 316 Stainless Steel

### Gamajet HV-VIII

#### Operating Range:

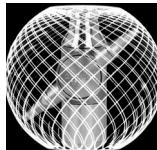
- **Water Flow:** 25 to 130 gpm (2.5 to 10 tons per hour)
- **Water Pressure:** 20 to 1000 psi (3.5 to 8.3 bars)
- **Temperature:** Up to 210°F (99°C)

#### Overall Dimensions:

- **Height:** 11" (27.94 cm)
- **Width:** Requires 8<sup>3/4</sup>" (20.9 cm) diameter minimum entry opening
- **Weight:** 16 lbs. (7.26 kg)

#### Inlet Connection:

- **Standard:** 1<sup>1/2</sup>" NPT Female, 2" Quick disconnect Male
- **Main Body Castings and Components:** 316 Stainless Steel



**1-877-426-2538**

1 - 8 7 7 - G A M A J E T

604 Jeffers Circle • Exton PA 19341 • Telephone: (610) 408-9940

Fax: (610) 408-9945 • email: sales@gamajet.com • website: www.gamajet.com

**GAMAJET CLEANING SYSTEMS, INC.**

*because your business depends on clean tanks*