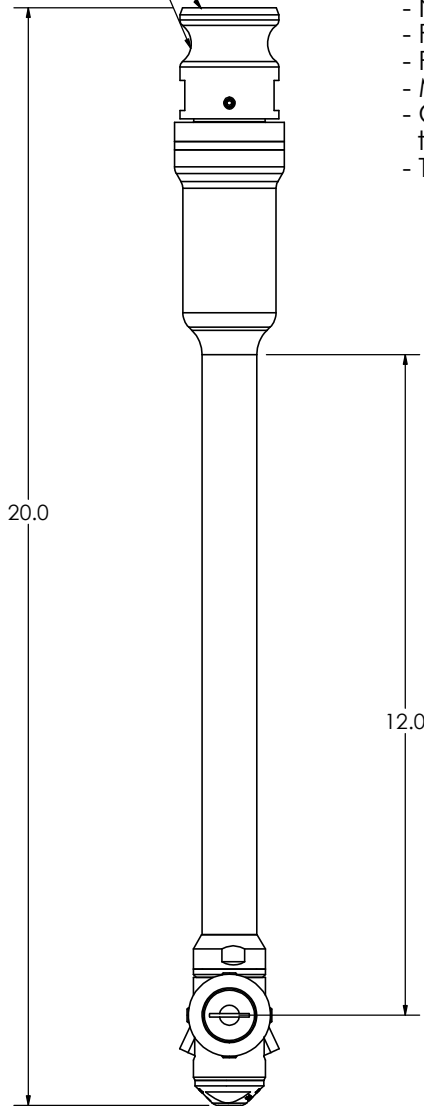
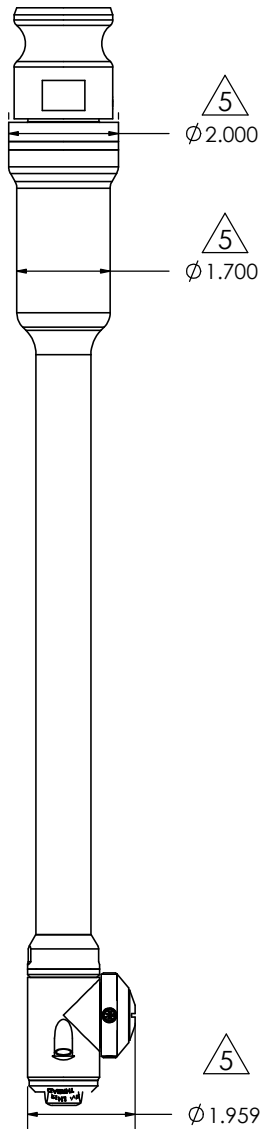
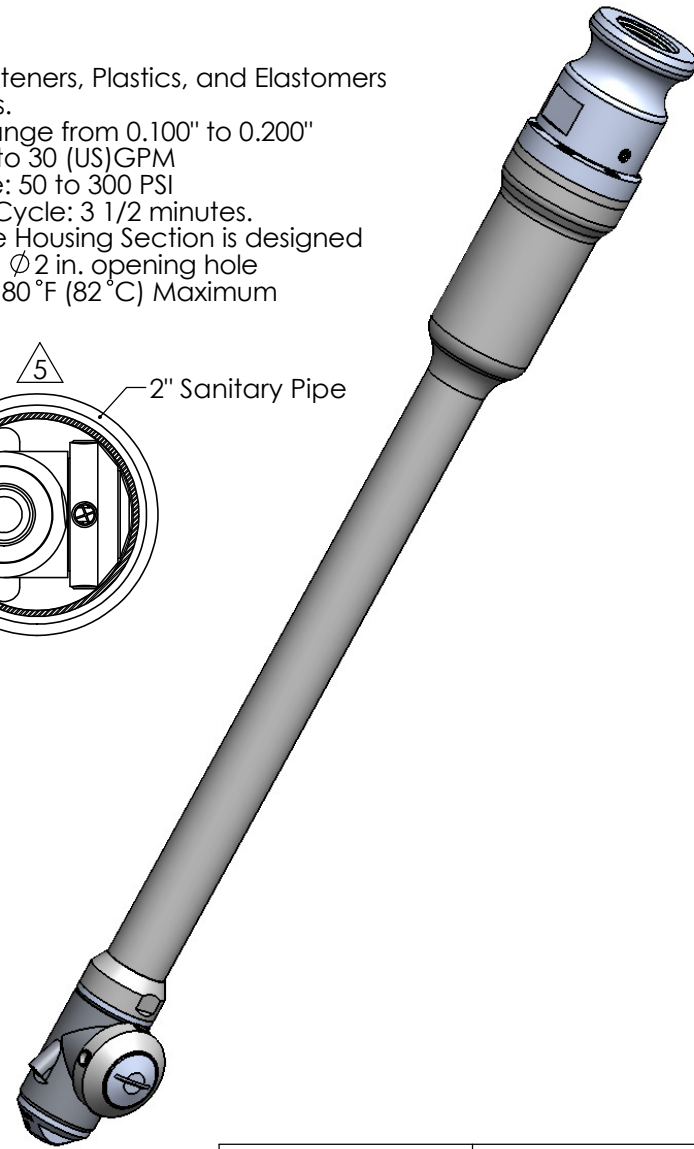
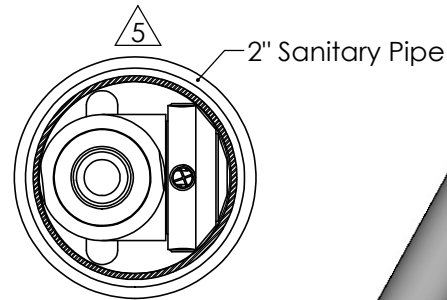


Combo 3/4" Female NPT &
1-1/4" Camlock Adapter Inlet



- Notes:
- 316 SS, 18-8 Fasteners, Plastics, and Elastomers
 - Weight: 5.68 lbs.
 - Nozzle Sizes: Range from 0.100" to 0.200"
 - Flow Range: 6 to 30 (US)GPM
 - Pressure Range: 50 to 300 PSI
 - Min. Full Wash Cycle: 3 1/2 minutes.
 - Clearance: Tee Housing Section is designed to fit through a ϕ 2 in. opening hole
 - Temperature: 180°F (82°C) Maximum



THIS DRAWING IS THE PROPERTY OF GAMAJET CLEANING SYSTEMS, INC. REPRODUCTIONS AND USE OTHER THAN BORROWER'S AGREEMENT IS PROHIBITED. THIS DOCUMENT SHALL NOT BE LENT OR DISPOSED OF DIRECTLY OR INDIRECTLY NOR USED FOR ANY PURPOSE OTHER THAN THAT WHICH IS SPECIFICALLY FURNISHED.

DRAWN	DATE	Rev.	Description
MQL	04/25/08	2	New Drawing
MQL	06/17/08	4	Change name in title block & file name
JAD	3/5/10	5	ADDED DIMS AND PIPE VIEW

UNLESS OTHERWISE SPECIFIED
* DIMENSIONS ARE IN INCHES
* [] DIMENSIONS ARE mm
* DEBURR ALL SURFACES
* FILLET RAD.: 0.015
* TOLERANCES:
.XX ±0.01
.XXX ±0.005
ANGLE ±1°
MATERIAL:
316 STAINLESS STEEL
FINISH (UNLESS OTHERWISE SPECIFIED):
32 Ra
SCALE: Full

GAMAJET CLEANING SYSTEMS, INC.	
604 Jeffers Circle Exton, PA 19341-2524	
TITLE	ALPHA FP
EQUIPMENT	GAMAJET ALPHA
DWG. NO.	Alpha FP Cut Sheet
	SHEET 1 OF 1