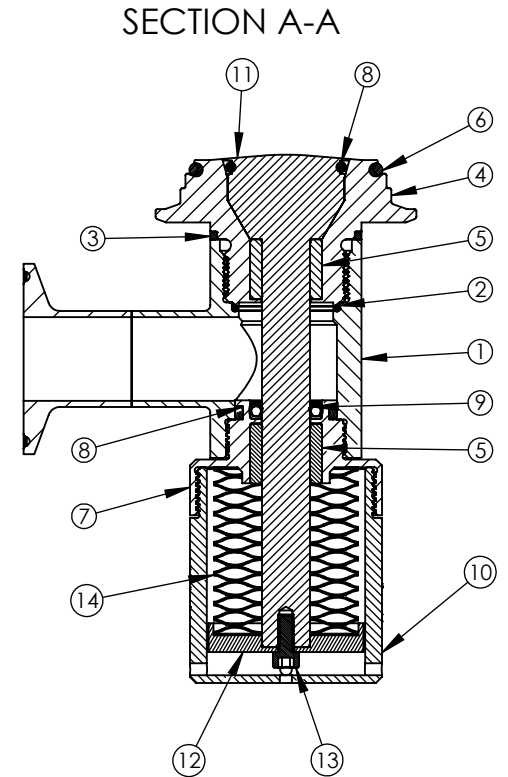
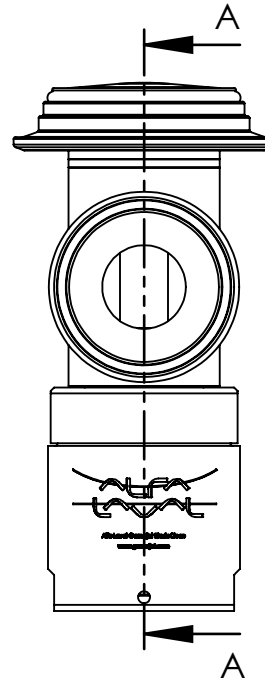


ITEM NO.	PART NUMBER	DESCRIPTION	QTY.
1	AG-556	BODY EXTENSION TUBE	1
2	961466103	O-RING, EPDM, 2-022	1
3	TE52D561	OUTLET GASKET, OUTSIDE	1
4	AG-552	OUTLET, SCREW ON, 1" BSPT	1
5	AG-567	BEARING	2
6	9611994285	TANK ADAPTER O-RING, EDPM	1
7	AG-555	MAIN BODY	1
8	AG-559	O-RING, EPDM, 2-118	1
9	AG-569	SHAFT SEAL	1
10	AG-558	BOTTOM CAP	1
11	AG-501	PLUNGER	1
12	AG-557	RETAINER, CREST TO CREST WAVE SPRING	1
13	AG-560	SHCS, 8-32 X 3/8" 316 SS	1
14	AG-563	CREST-TO-CREST WAVE SPRING, DESIGN No. 37083	1
15	9614070801	TANK ADAPTER	1
16	9612939303	CLAMP	1



REVISIONS				
REV	ECN/DESCRIPTION	BY	DATE	APR
01	NEW RELEASE	CM	20FEB14	CM
02	REVISED RELEASE	CM	15JAN14	CM
03	REDESIGN	CM	19FEB15	CM
04	ADD DETAILS OF REDESIGN	CM	24FEB15	CM
05	CHANGED PART NUMBERS	RK	9JUL15	RK
06	CHANGED O-RING 2-120 TO 2-118	RK	12FEB16	RK

THIS DRAWING IS THE PROPERTY OF GAMAJET CLEANING SYSTEMS, INC. REPRODUCTIONS AND USE OTHER THAN BORROWER'S AGREEMENT IS PROHIBITED. THIS DOCUMENT SHALL NOT BE LENT OR DISPOSED OF DIRECTLY OR INDIRECTLY NOR USED FOR ANY PURPOSE OTHER THAN THAT WHICH IS SPECIFICALLY FURNISHED.

DIMENSIONS ARE IN INCHES  
DIMENSIONS INTERPRETED PER  
ASME 14.5M-1994  
TOLERANCES:  
.X ±1/16  
.XX ±0.010  
.XXX ±0.005  
ANGLE ±0.5°

DRAWN BY  
CM

DRAWN DATE  
20FEB14

APPROVED BY  
CM

APPROVED DATE  
20FEB14

GAMAJET CLEANING SYSTEMS, INC.  
604 JEFFERS CIRCLE  
EXTON, PA 19341

DESCRIPTION  
BLADECLEAN  
TOP LEVEL ASSEMBLY

DWG. NO.  
AGITATOR-5500



REV 06  
SHEET 1/1

SIZE A SCALE 1:2 FINISH NA

MATERIAL NA