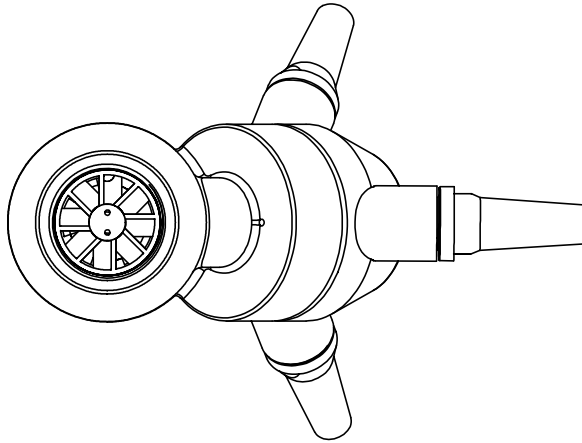
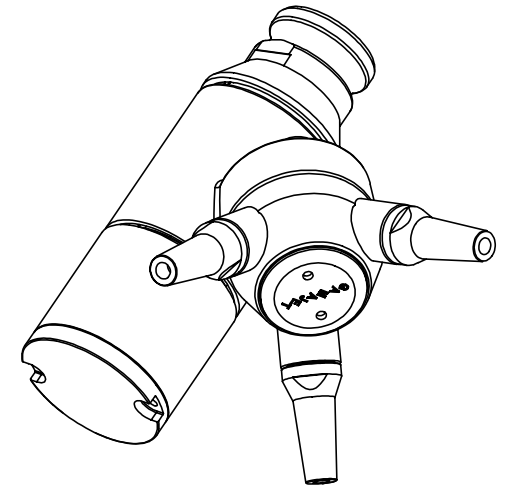


Gamajet IV Directional - Operating Parameters



Insertion Clearance (Inches)	
Free Hand	12-1/2
Fixed Center Line	20-1/2



Notes:

- 316 SS, Plastics, and Elastomers
- Triple Nozzle
- Nozzle Sizes: range from 1/4" to 5/8"
- Inlet Connection: 2 in. NPT female and 2-1/2 in. quick Disconnect male
- Flow Range: 30 to 220 GPM
- Pressure Range : 40 to 500 PSI

