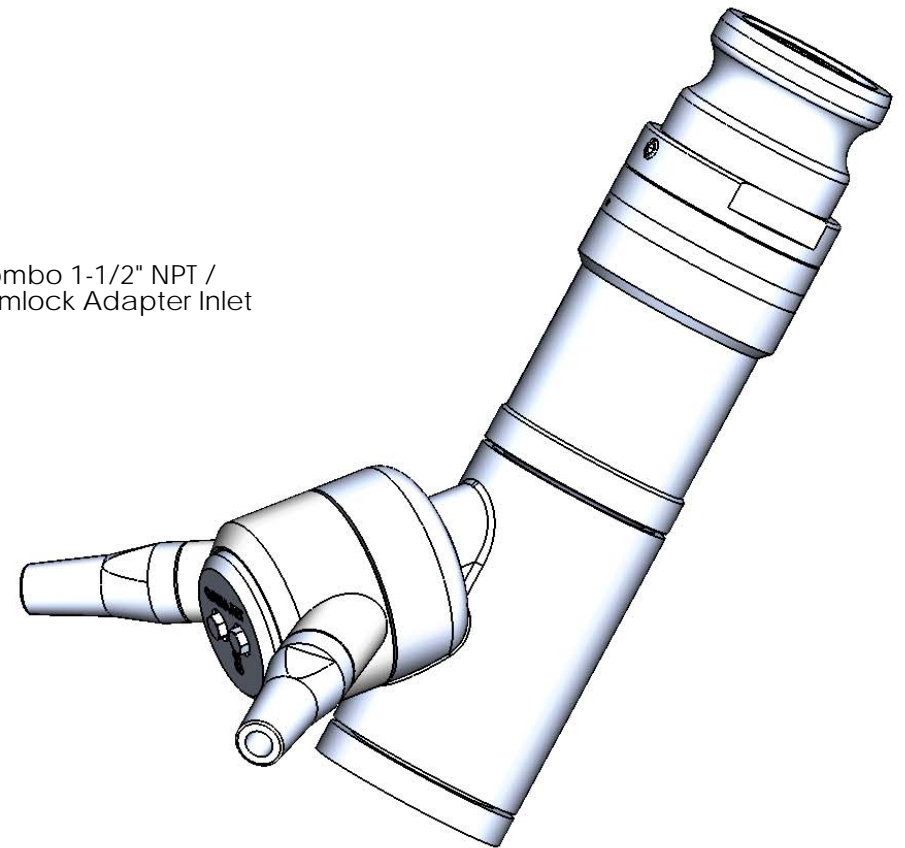
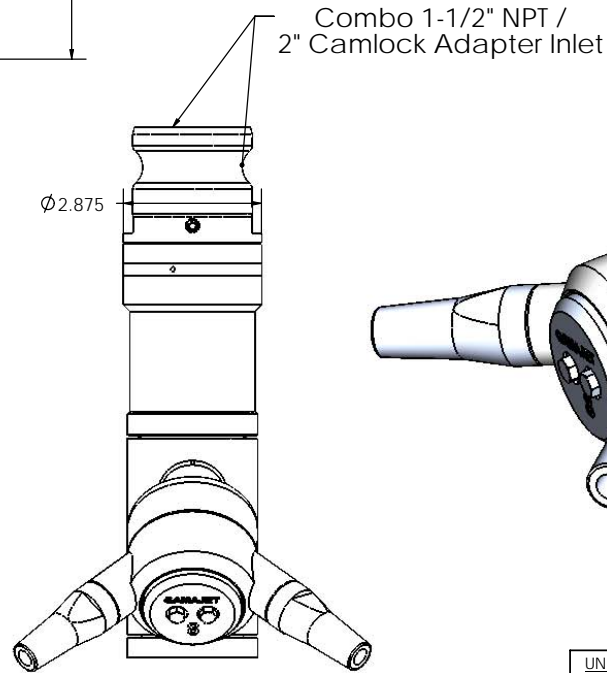
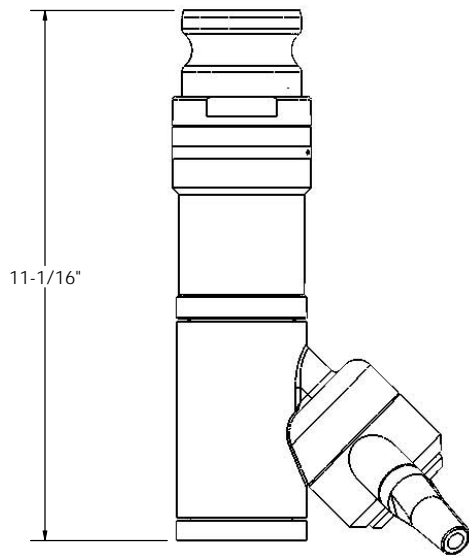


Insertion Clearance (inches)	
Free Hand	Ø8.25" min.
Fixed CL	Ø11.75" min.



UNLESS OTHERWISE SPECIFIED:  
 \* DIMENSIONS ARE IN INCHES  
 \* [ ] DIMENSIONS ARE mm  
 \* FILLET RAD.: 0.015±0.005  
 \* TOLERANCES:  
 .XX ±0.01  
 .XXX ±0.005  
 ANGLE ±0.5°

**GAMAJET CLEANING SYSTEMS, INC.**  
 604 Jeffers Circle  
 Exton, PA 19341-2524

TITLE  
**Cut Sheet**

EQUIPMENT  
**GAMAJET HV 8 Directional**

DWG. NO.  
 Gamajet 8 Directional 2N cut sheet

SHEET 1 OF 1

MATERIAL:  
**316 STAINLESS STEEL**

FINISH (UNLESS OTHERWISE SPECIFIED):  
**32 Ra**

SCALE: Full

THIS DRAWING IS THE PROPERTY OF GAMAJET CLEANING SYSTEMS, INC. REPRODUCTIONS AND USE OTHER THAN BORROWER'S AGREEMENT IS PROHIBITED. THIS DOCUMENT SHALL NOT BE LENT OR DISPOSED OF DIRECTLY OR INDIRECTLY NOR USED FOR ANY PURPOSE OTHER THAN THAT WHICH IS SPECIFICALLY FURNISHED.

DRAWN	DATE	REV.	DESCRIPTION
MQL	10/05/06	1	NEW DESIGN